



250 Staunton Turnpike, Parkersburg, WV 26104

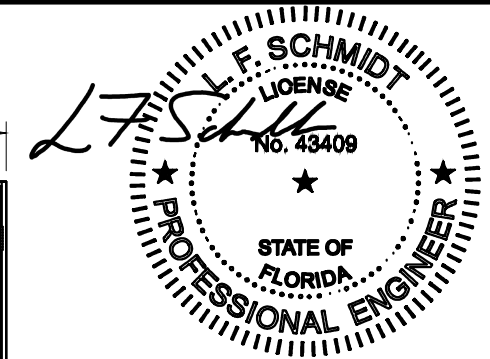
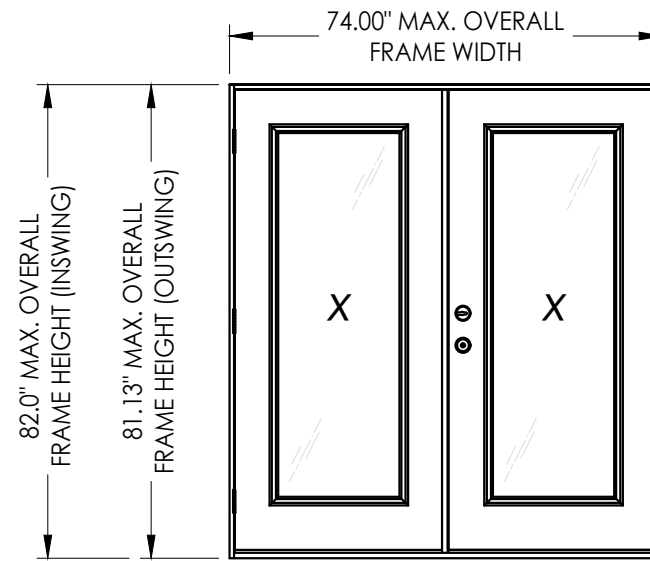
WINCORE FIBERGLASS ENTRY DOOR INSWING / OUTSWING "IMPACT"

GENERAL NOTES

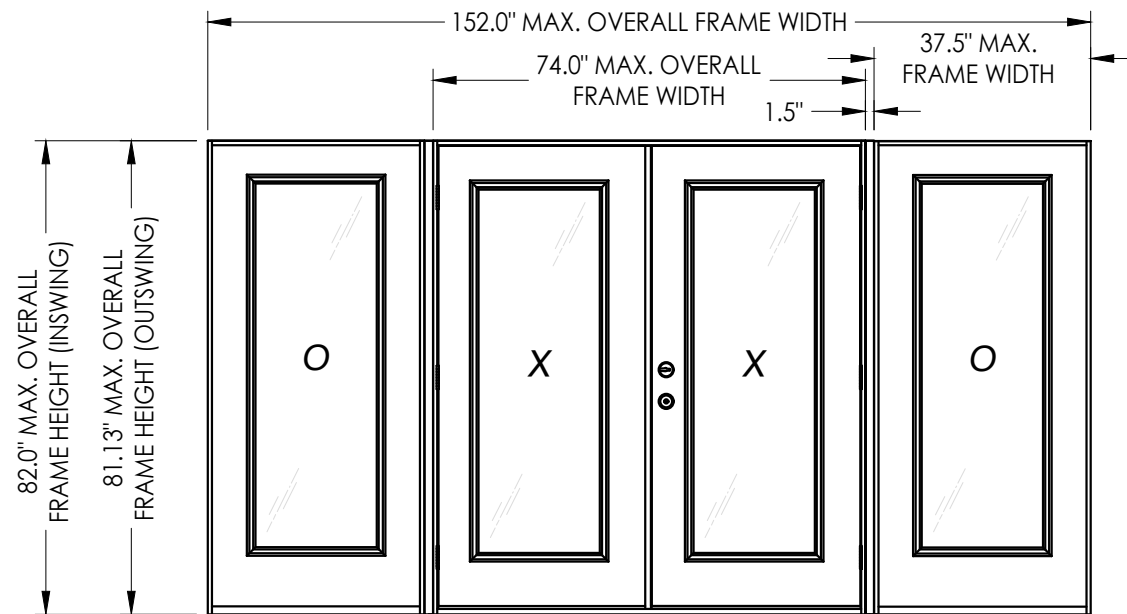
- This product has been evaluated and is in compliance with the 8th Edition (2023) Florida Building Code (FBC) structural requirements including the "High Velocity Hurricane Zone" (HVHZ).
- Product anchors shall be as listed and spaced as shown on details. Anchor embedment to base material shall be beyond wall dressing or stucco.
- When used in the "HVHZ" this product complies with Section 1626 of the Florida Building Code and does not require an impact resistant covering.
- When used in areas outside of the "HVHZ" requiring wind borne debris protection this product complies with FBC Sections 1609.1.2 & R301.2.1.2 and does not require an impact resistant covering. This product meets missile level "D" and includes Wind Zone 4 as defined in ASTM E1996 and FBC Sections 1609.1.2.2 & R301.2.1.2.1.
- For 2x stud construction, anchoring of these units shall be the same as that shown for 2x buck masonry construction.
- Site conditions that deviate from the details of this drawing require further engineering analysis by a licensed engineer or registered architect.
- Outswing configurations meet water infiltration requirements for "HVHZ". All other configurations do not meet the water infiltration requirements for the "HVHZ" and must be installed only in non-habitable areas or at habitable locations protected by an overhang or canopy such that the angle between the edge of canopy or overhang to sill is less than 45 degrees.

TABLE OF CONTENTS

SHEET #	DESCRIPTION
1	Typical elevations, design pressures & general notes
2	Door panel details
3	Sidelite panel details
4	Elevations
5	Horizontal cross sections
6	Vertical cross sections
7	3-Point lock details
8	3-Point lock details
9	Buck and frame anchoring (XX)
10	Buck and frame anchoring (OXXO)
11	Astragal details
12	Bill of materials & components



This item has been digitally signed and sealed by L. F. Schmidt, P.E. on the date adjacent to the seal. Printed copies of this document are not considered signed and sealed and the signature must be verified on any electronic copies.



CONFIGURATION	MAX. FRAME DIMENSION	DESIGN PRESSURE (PSF) INSWING		DESIGN PRESSURE (PSF) OUTSWING	
		POSITIVE	NEGATIVE	POSITIVE	NEGATIVE
XX	74.0" x 82.0"	+55.0	-55.0	+55.0	-55.0
OXXO	152.0" x 82.0"	+50.0	-50.0	+50.0	-50.0

See Sheet 2 for hardware design pressure limitations

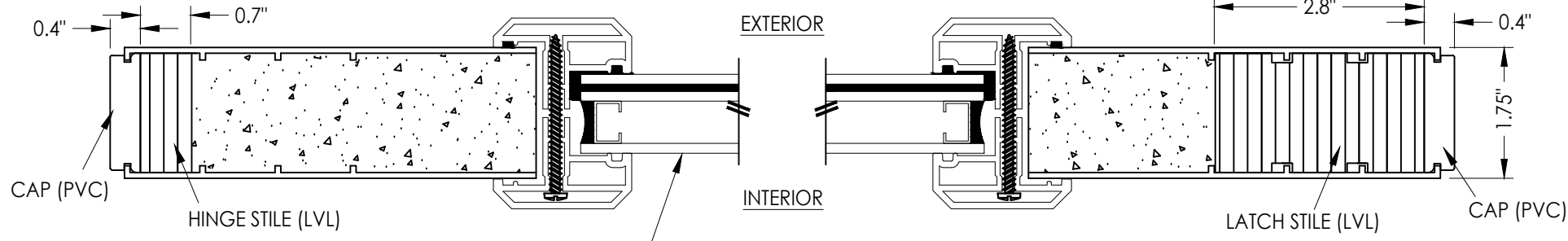
Documents Prepared By:
Lyndon F. Schmidt
P.E. No. 43409

RW
BUILDING CONSULTANTS, INC.
P.O. Box 230, Valrico, FL 33595
Phone No.: 813.659.9197
FBPE Registry No. 9813

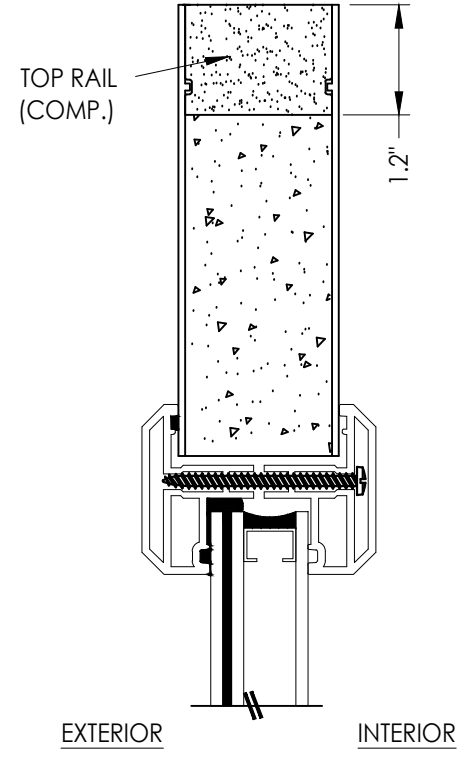
PRODUCT: WINCORE FIBERGLASS DOOR
PART OR ASSEMBLY: TYPICAL ELEVATION, DESIGN PRESSURES & GENERAL NOTES

NO.	DATE	BY
5	7/06/23	LFS
4	10/14/20	LFS
3	8/12/20	LFS

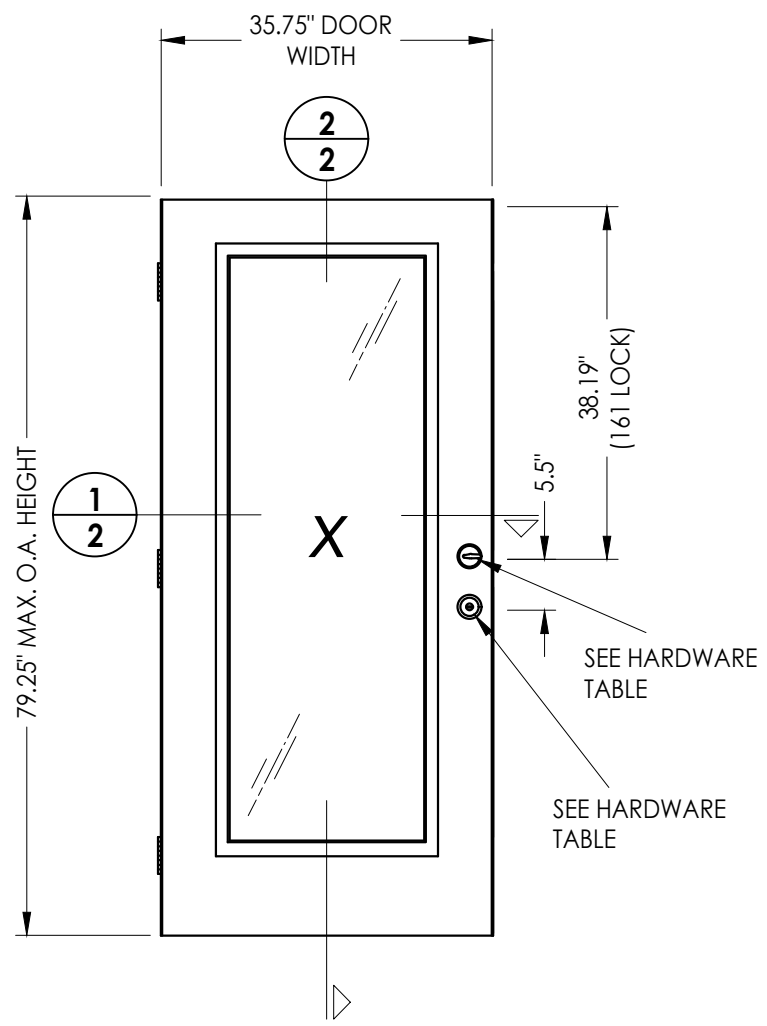
DATE: 05/10/12
SCALE: N.T.S.
DWG. BY: JK
CHK. BY: LFS
DRAWING NO.: FL-15631.6
SHEET 1 OF 12



1
2 HORIZONTAL CROSS SECTION



2
2 VERTICAL CROSS SECTION



40 DOOR PANEL
Plastpro Fiberglass

HARDWARE TABLE			
MANUFACTURER	MODEL		MAX. DESIGN PRESSURE (PSF)
KWIKSET	KNOB:	SIGNATURE SERIES	±55
	DEADBOLT:	SIGNATURE SERIES (980)	
SCHLAGE	KNOB:	"F" SERIES (F51)	± 55
	DEADBOLT:	"B" SERIES (B60/62)	
PAMEX	LEVER:	FL3B SERIES	± 55
	DEADBOLT:	FD7 SERIES	
HOPPE	MULTI-POINT LOCK:	HLS9000 (3-POINT TONGUE)	± 50
W & F	MULTI-POINT LOCK:	TRILENNIUM "3000" SERIES	± 55

See Sheets 7 & 8 for multi-point lock details.

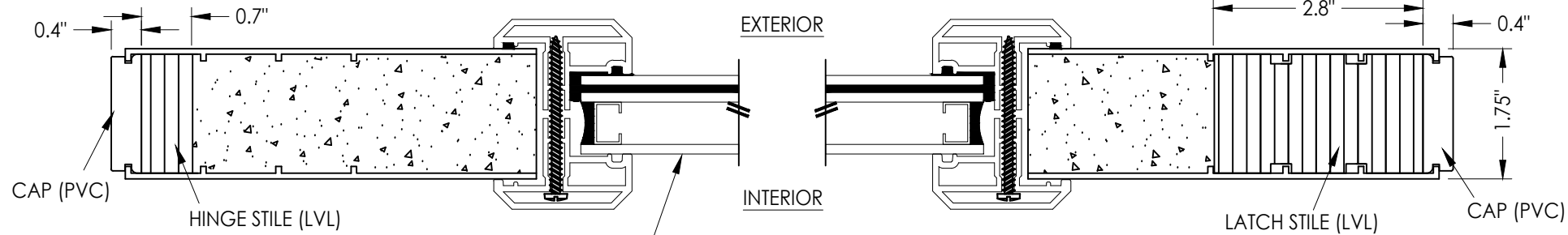
Documents Prepared By:
Lyndon F. Schmidt
P.E. No. 43409

RW BUILDING CONSULTANTS, INC.
P.O. Box 230, Valrico, FL 33595
Phone No.: 813.659.9197
FBPE Registry No. 9813

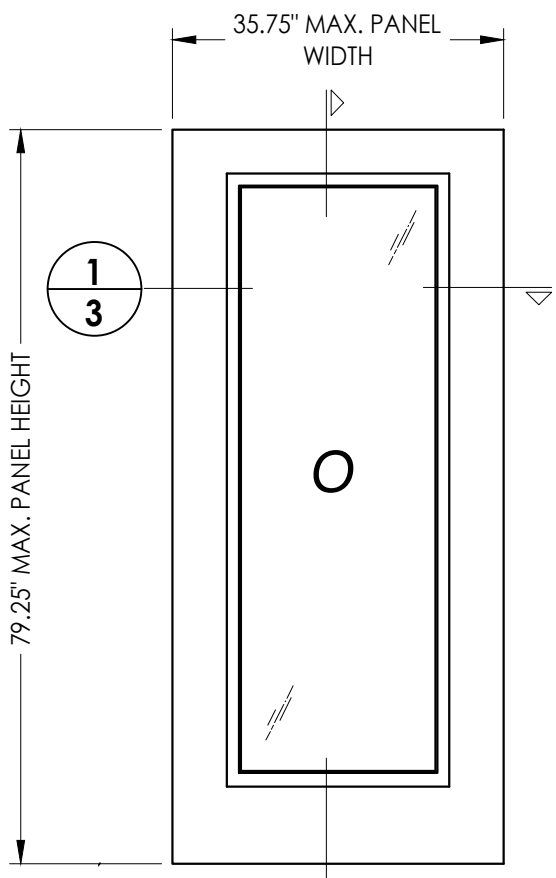
PRODUCT:
WINCORE
FIBERGLASS DOOR
PART OR ASSEMBLY:
DOOR PANEL DETAILS

REVISIONS			
NO.	DATE	BY	
5	7/06/23	LFS	UPDATE TO 8TH ED. (2023) FBC & REVISE LITE FRAME
4	10/14/20	LFS	UPDATE TO 7TH ED. (2020) FBC
3	8/12/20	LFS	REVISE DESIGN PRESSURE TABLE & REVISE ENDURA ULT. ASTRAGAL

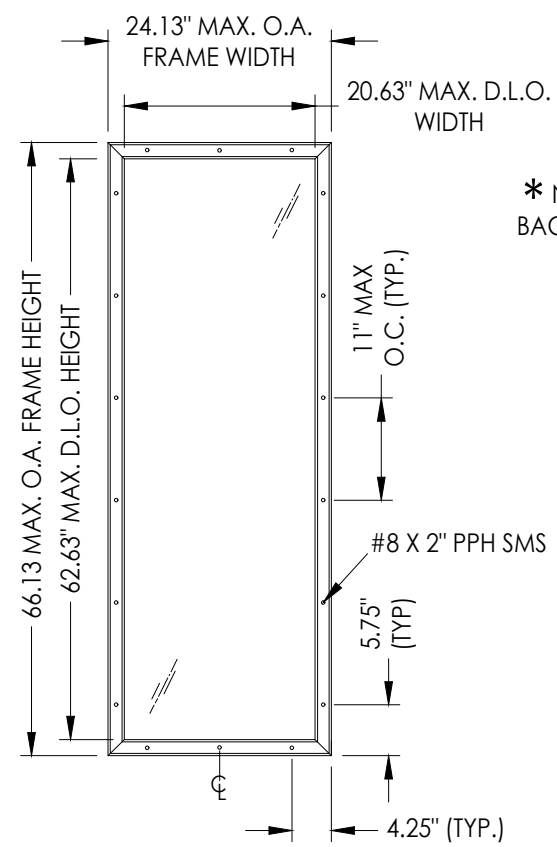
DATE: 05/10/12
SCALE: N.T.S.
DWG. BY: JK
CHK. BY: LFS
DRAWING NO.: FL-15631.6
SHEET 2 OF 12



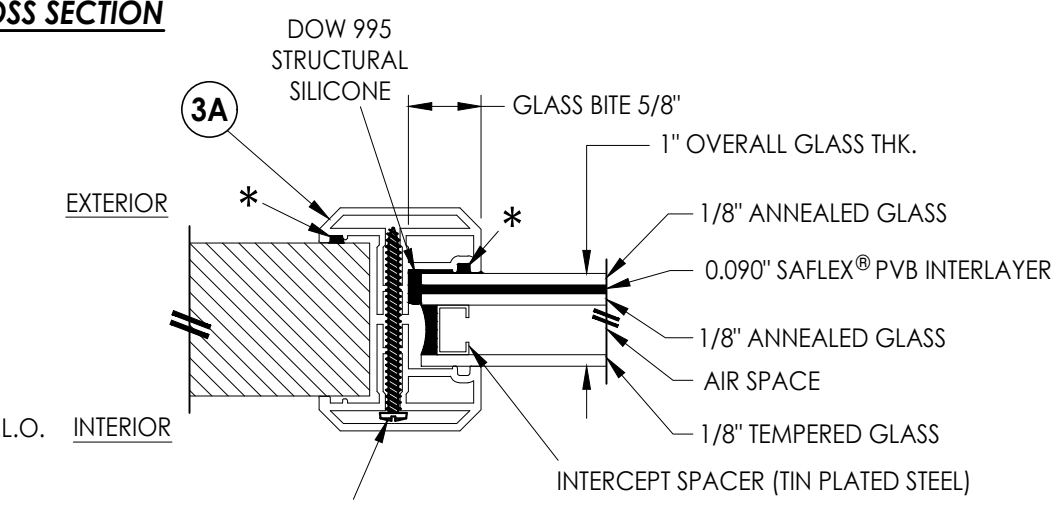
1
3 **HORIZONTAL CROSS SECTION**



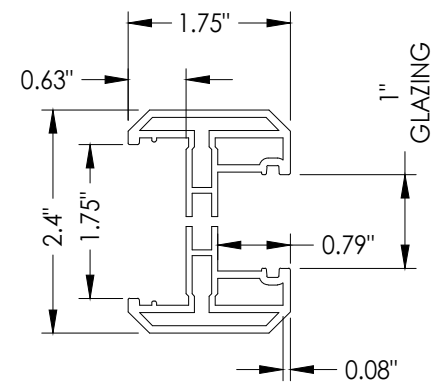
50 **PLASTPRO SIDELITE PANEL**



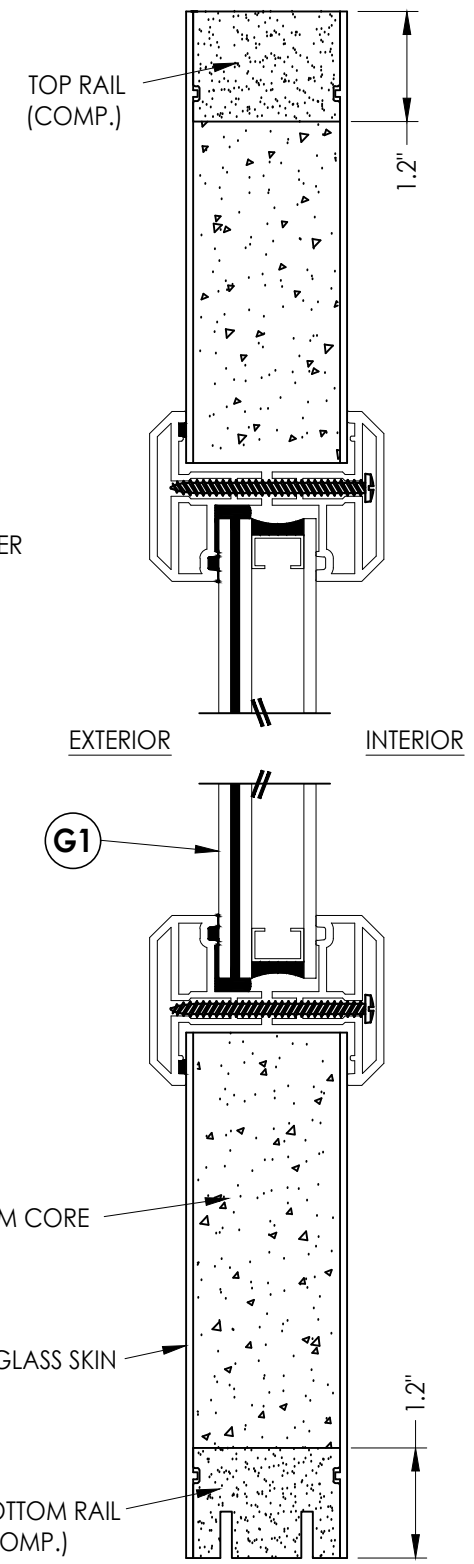
ODL LITE FRAME DETAIL
"FLAT FRAME" PROFILE



G1 **GLAZING DETAIL**
ODL "FLAT FRAME"



3A **ODL LITE FRAME**
"FLAT FRAME" PROFILE
(6063-T5 ALUM)



2
3 **VERTICAL CROSS SECTION**

FIBERGLASS SKIN: 0.125" MIN. THK. (MIN. F_y = 11,860 PSI)
FOAM CORE: POLYURETHANE - 1.9 PCF MIN.)

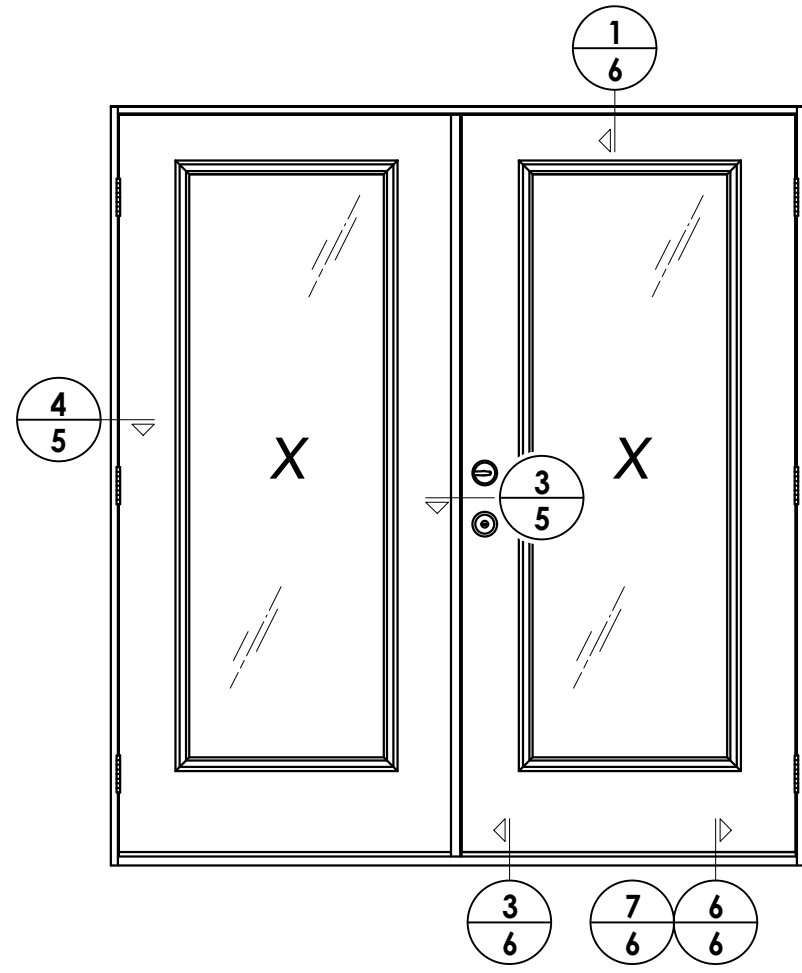
Documents Prepared By:
Lyndon F. Schmidt
P.E. No. 43409

RW BUILDING CONSULTANTS, INC.
P.O. Box 230, Valrico, FL 33595
Phone No.: 813.659.9197
FBPE Registry No. 9813

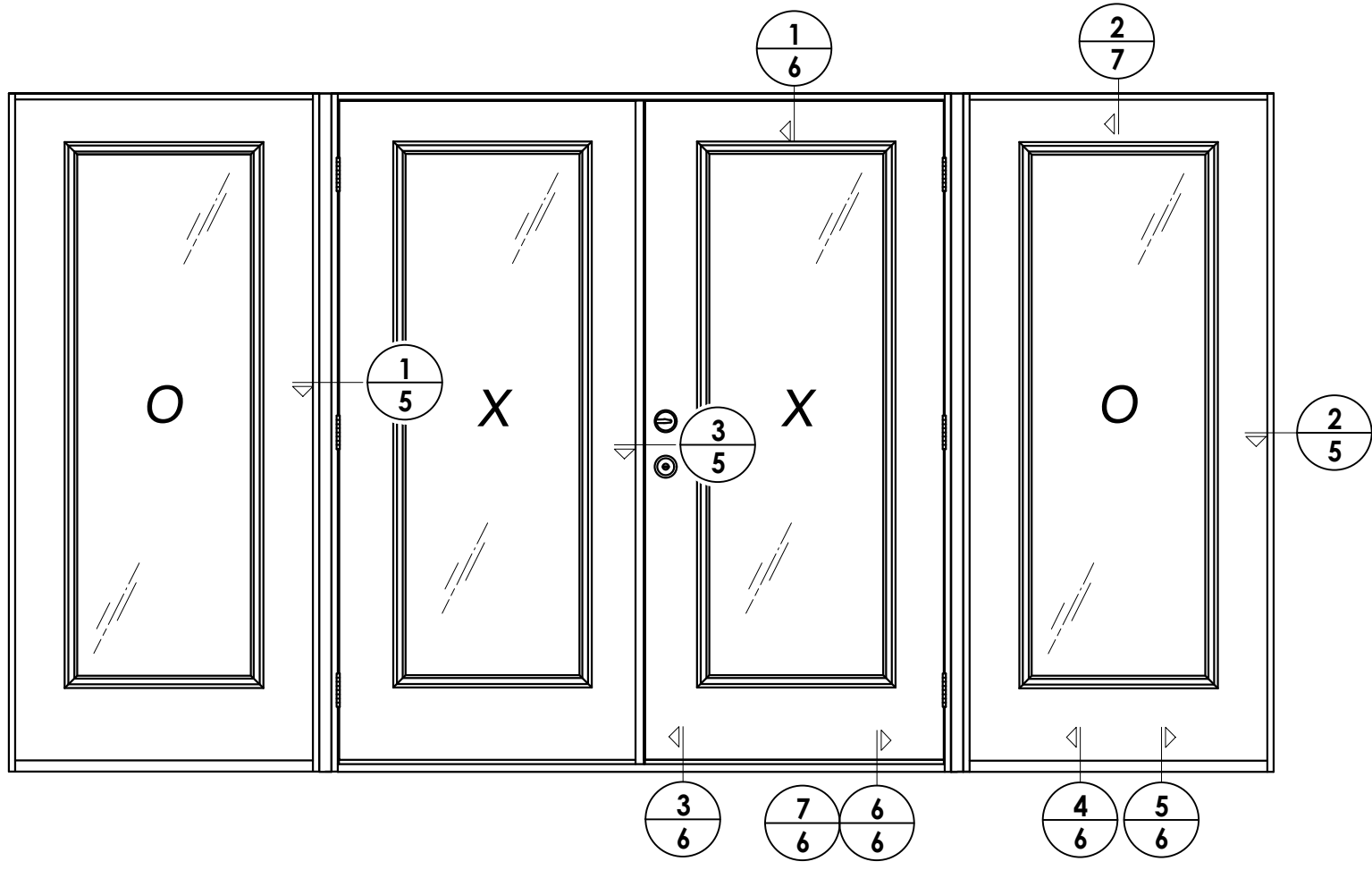
PRODUCT:	WINCORE FIBERGLASS DOOR
PART OR ASSEMBLY:	SIDELITE PANEL DETAILS

NO.	DATE	REVISIONS	BY
5	7/06/23	UPDATE TO 8TH ED. (2023) FBC & REVISE LITE FRAME	LFS
4	10/14/20	UPDATE TO 7TH ED. (2020) FBC	LFS
3	8/12/20	REVISE DESIGN PRESSURE TABLE & REVISE ENDURA ULT. ASTRAGAL	LFS

DATE:	05/10/12
SCALE:	N.T.S.
DWG. BY:	JK
CHK. BY:	LFS
DRAWING NO.:	FL-15631.6
SHEET	3 OF 12



ELEVATION (XX)

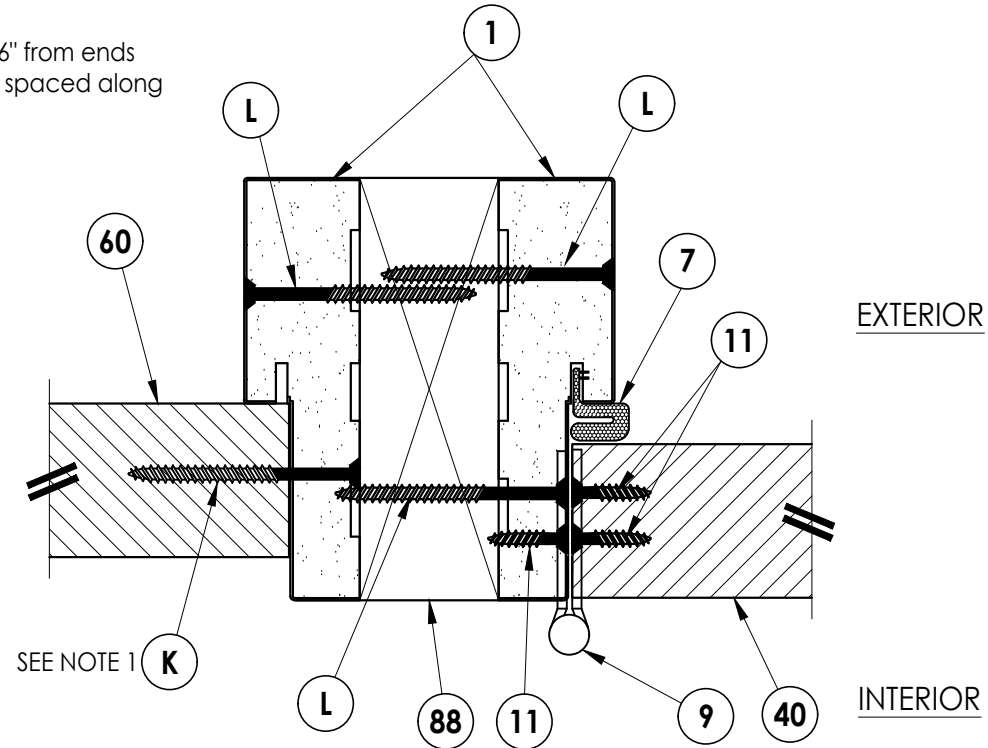


ELEVATION (OXXO)

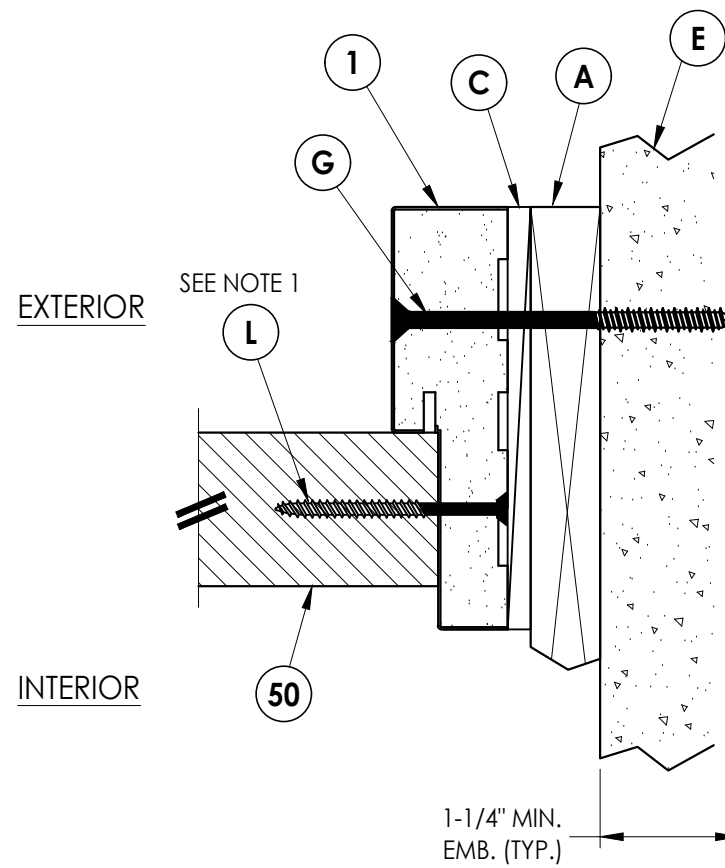
Documents Prepared By: Lyndon F. Schmidt P.E. No. 43409		BUILDING CONSULTANTS, INC. P.O. Box 230, Valrico, FL 33595 Phone No.: 813.659.9197 FBPE Registry No. 9813	
PRODUCT: WINCORE FIBERGLASS DOOR		PART OR ASSEMBLY: ELEVATIONS	
5	7/06/23	UPDATE TO 8TH ED. (2023) FBC & REVISE LITE FRAME	LFS
4	10/14/20	UPDATE TO 7TH ED. (2020) FBC	LFS
3	8/12/20	REVISE DESIGN PRESSURE TABLE & REVISE ENDURA ULT. ASTRAGAL	LFS
	NO. DATE		BY
			REVISIONS
DATE: 05/10/12			
SCALE: N.T.S.			
DWG. BY: JK			
CHK. BY: LFS			
DRAWING NO.: FL-15631.6			
SHEET 4 OF 12			

NOTE:

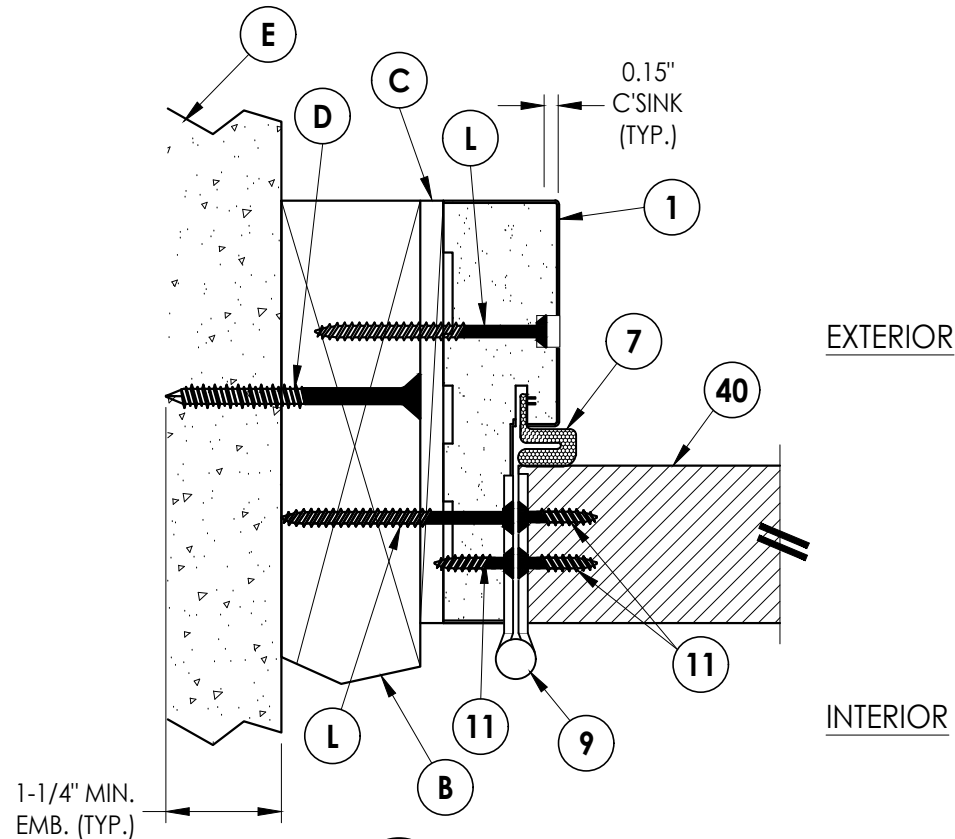
1. Spacing for item K: 6" from ends and 7 more equally spaced along sidelite (9 total).



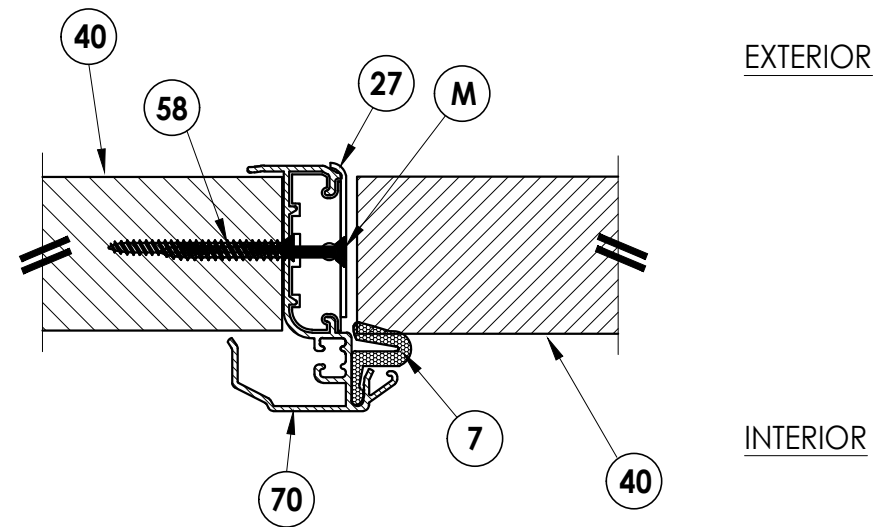
1 **HORIZONTAL CROSS SECTION**
5 Inswing shown - outswing also approved



2 **HORIZONTAL CROSS SECTION**
5 Shown w/1X sub-buck



4 **HORIZONTAL CROSS SECTION**
5 Inswing shown - outswing also approved



3 **HORIZONTAL CROSS SECTION**
5 Outswing shown - inswing also approved

Documents Prepared By:
 Lyndon F. Schmidt
 P.E. No. 43409

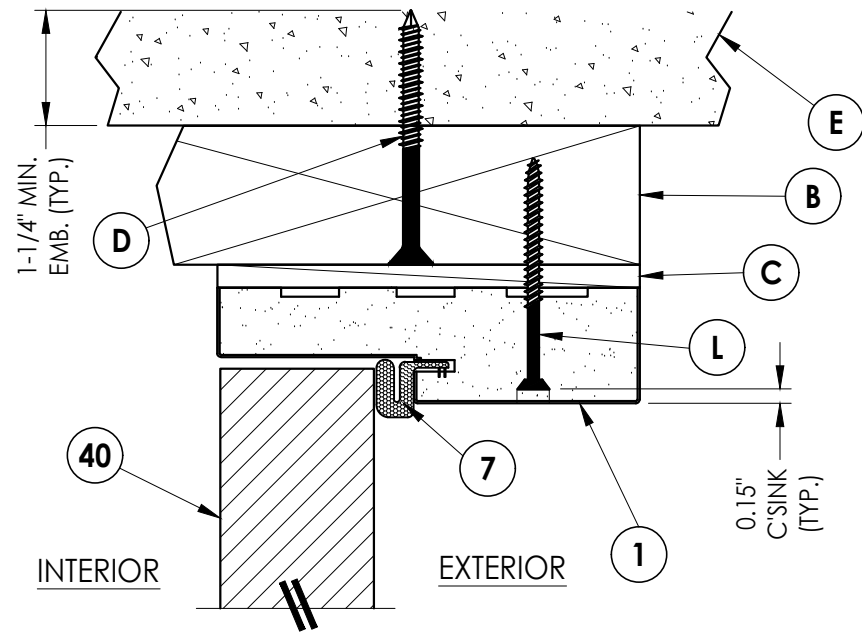
RW
 BUILDING CONSULTANTS, INC.
 P.O. Box 230, Valrico, FL 33595
 Phone No.: 813.659.9197
 FBPE Registry No. 9813

PRODUCT: WINCORE FIBERGLASS DOOR
 PART OR ASSEMBLY: HORIZONTAL CROSS SECTIONS

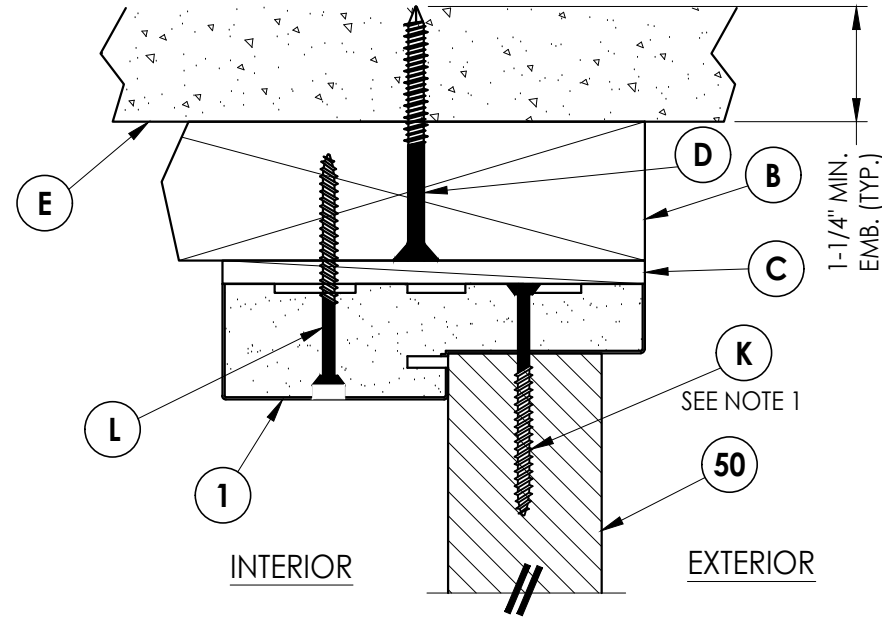
NO.	DATE	BY
5	7/06/23	LFS
4	10/14/20	LFS
3	8/12/20	LFS
		ASTRAGAL
		REVISIONS

DATE: 05/10/12
 SCALE: N.T.S.
 DWG. BY: JK
 CHK. BY: LFS
 DRAWING NO.: FL-15631.6
 SHEET 5 OF 12

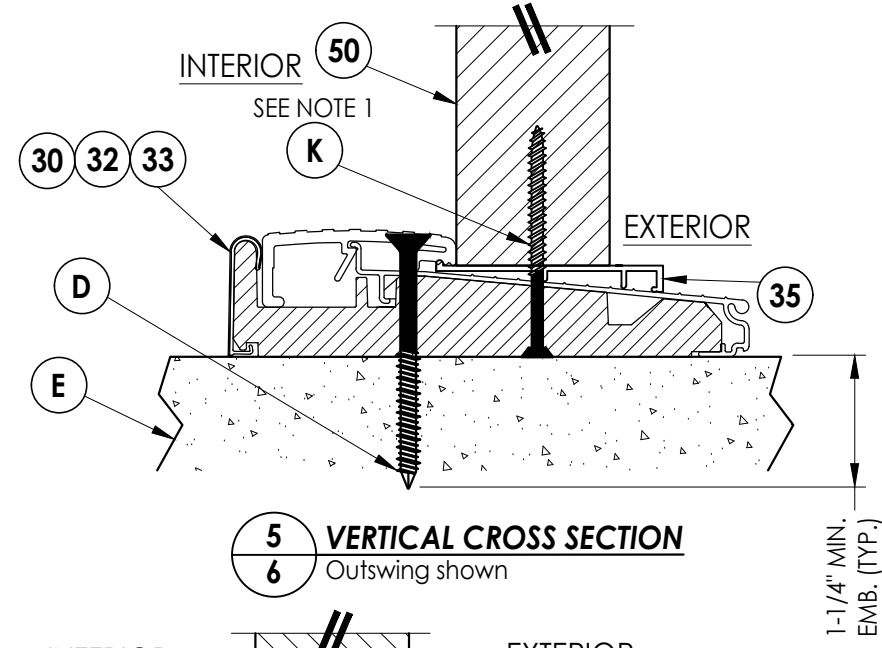
Z:\2023 FBC Drawings\Wincore Window Company\FL-15631 R5\FL-15631.3.6.dwg



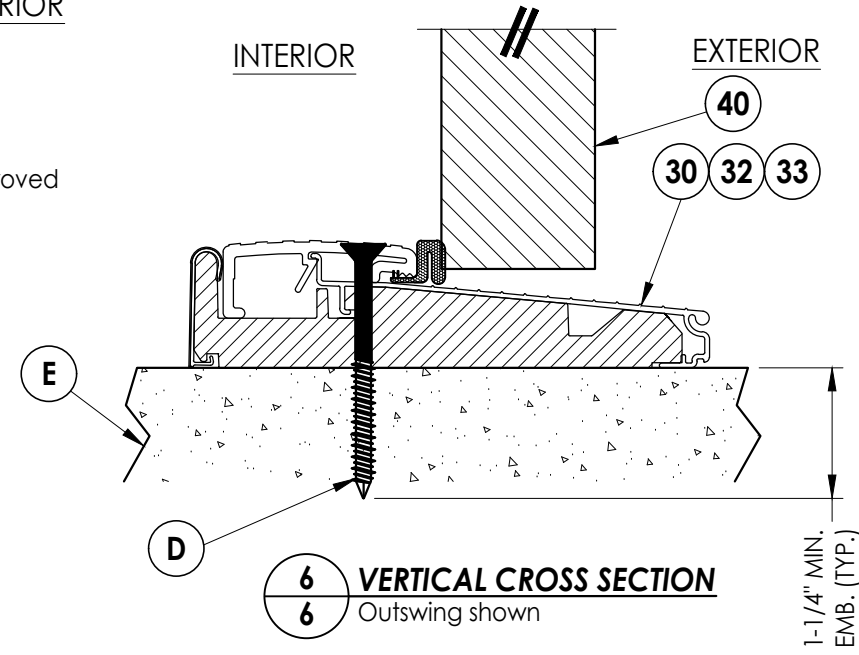
1 **VERTICAL CROSS SECTION**
6 Inswing shown - outswing also approved



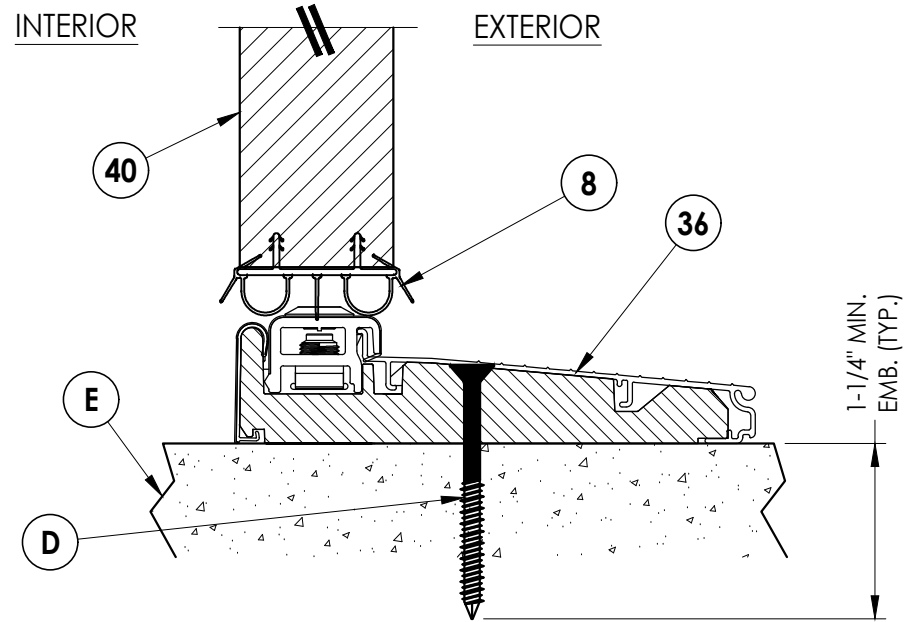
2 **VERTICAL CROSS SECTION**
6 Outswing shown - inswing also approved



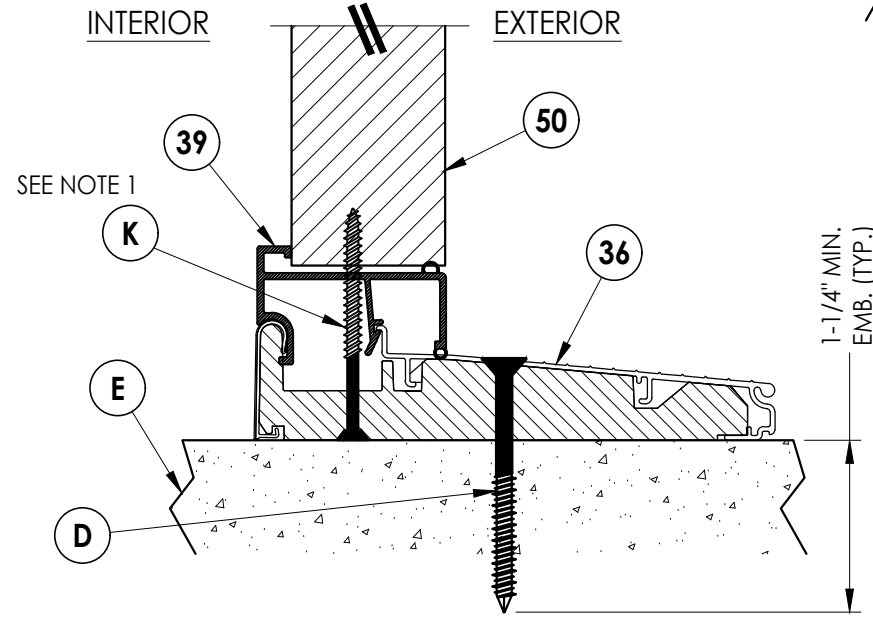
5 **VERTICAL CROSS SECTION**
6 Outswing shown



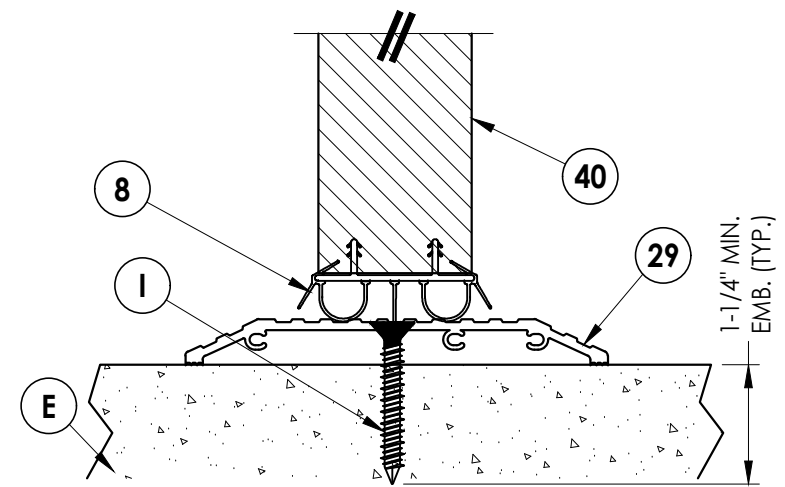
6 **VERTICAL CROSS SECTION**
6 Outswing shown



3 **VERTICAL CROSS SECTION**
6 Inswing shown



4 **VERTICAL CROSS SECTION**
6 Inswing shown



7 **VERTICAL CROSS SECTION**
6 Shown w/ ADA threshold

NOTE

1. Spacing for item K:
6" from each end
and at centerline.

Documents Prepared By:
Lyndon F. Schmidt
P.E. No. 43409

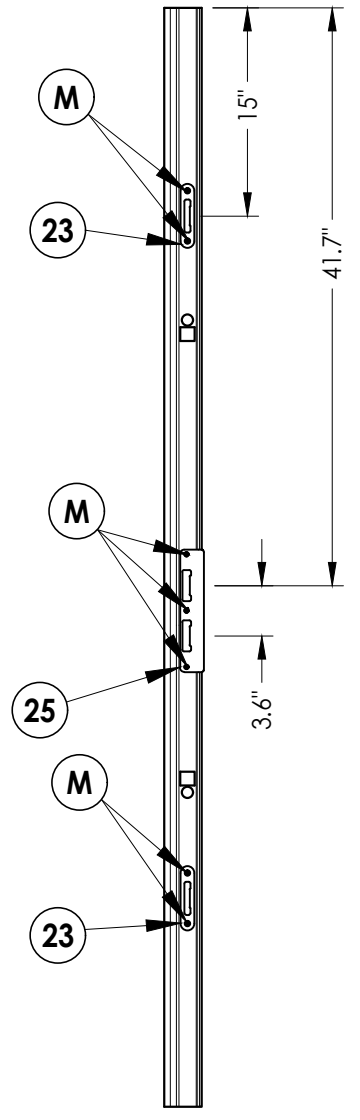
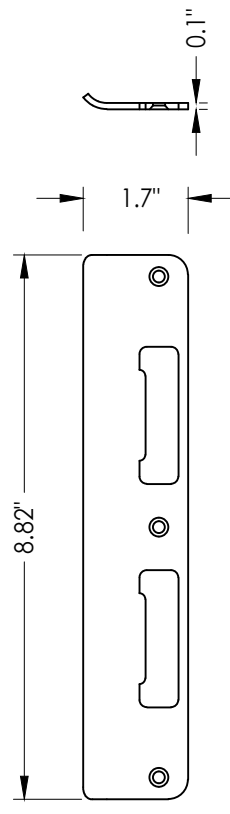
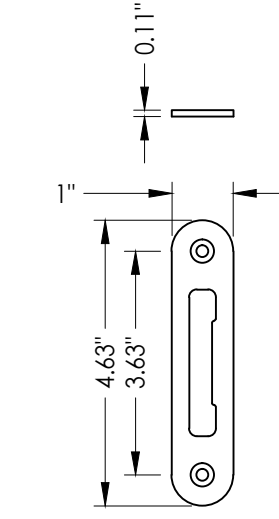
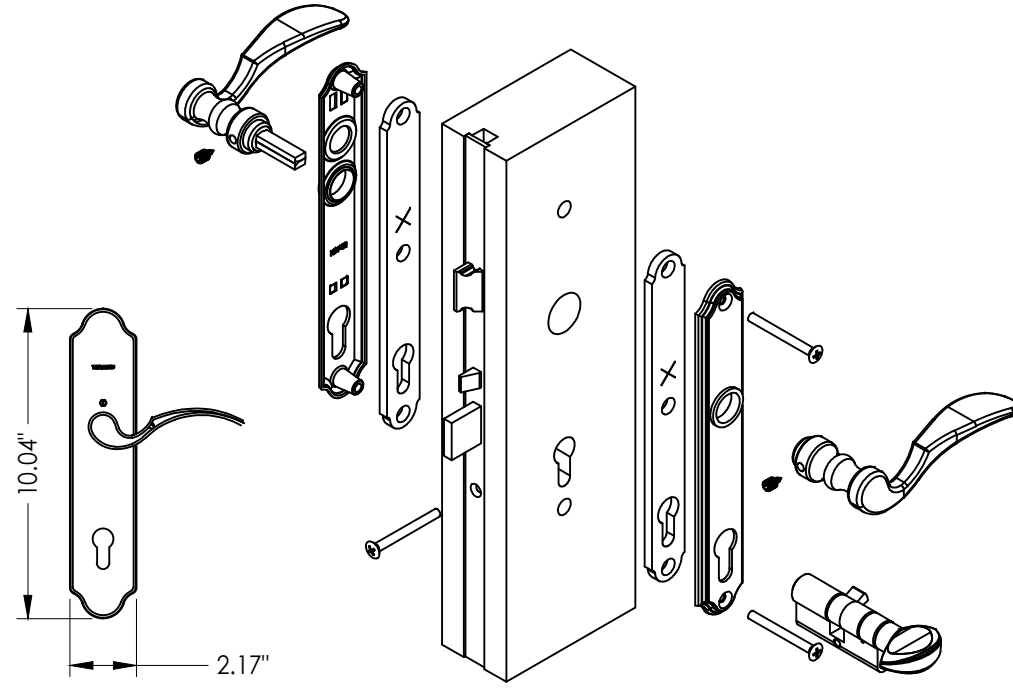
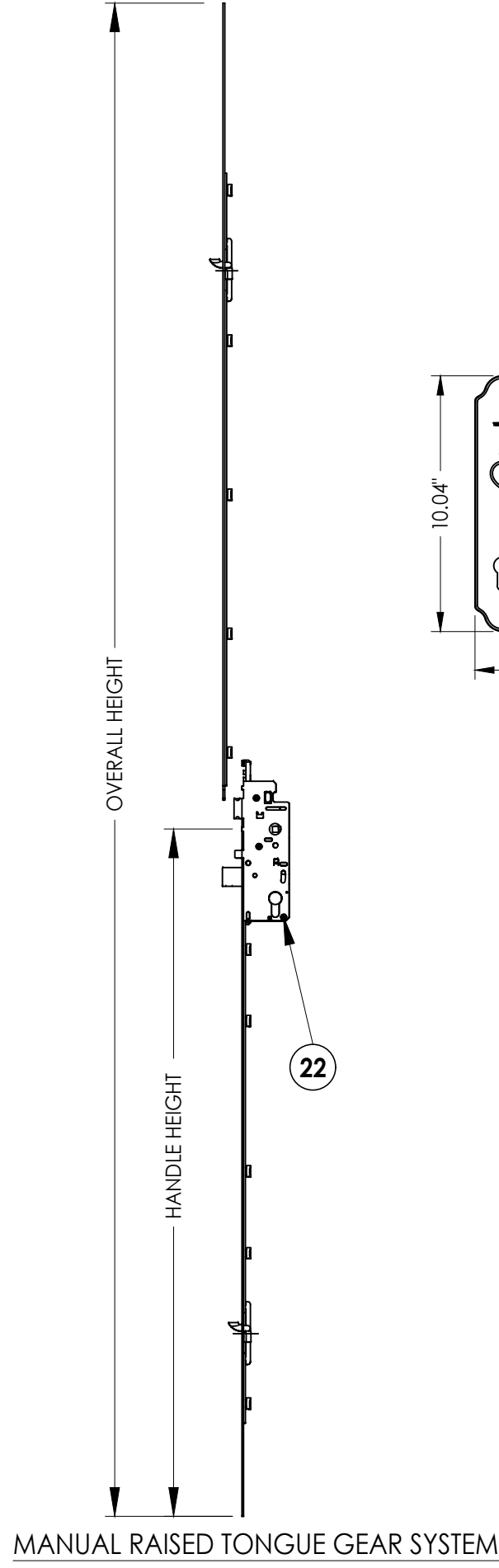
RW
BUILDING CONSULTANTS, INC.
P.O. Box 230, Valrico, FL 33595
Phone No.: 813.659.9197
FBPE Registry No. 9813


PRODUCT:
WINCORE
FIBERGLASS DOOR

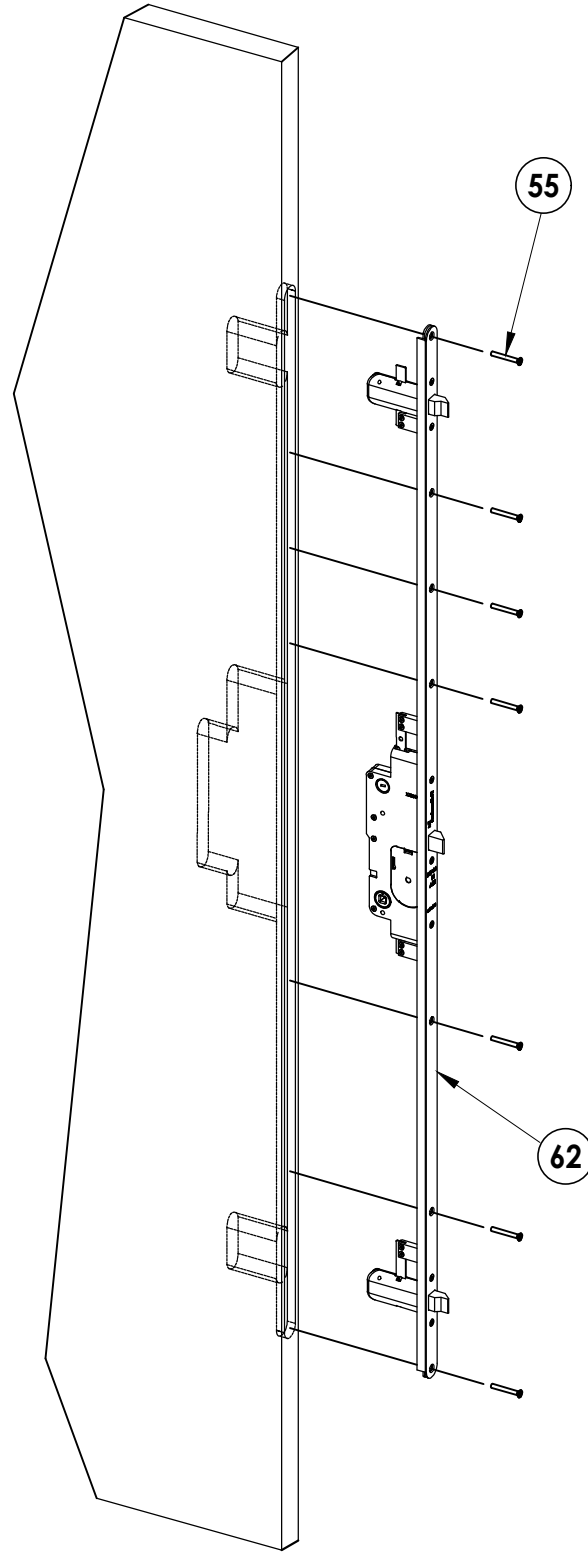
PART OR ASSEMBLY:
VERTICAL CROSS SECTIONS

NO.	DATE	BY	REVISIONS
5	7/06/23	LFS	UPDATE TO 8TH ED. (2023) FBC & REVISE LITE FRAME
4	10/14/20	LFS	UPDATE TO 7TH ED. (2020) FBC
3	8/12/20	LFS	REVISE DESIGN PRESSURE TABLE & REVISE ENDURA ULT. ASTRAGAL

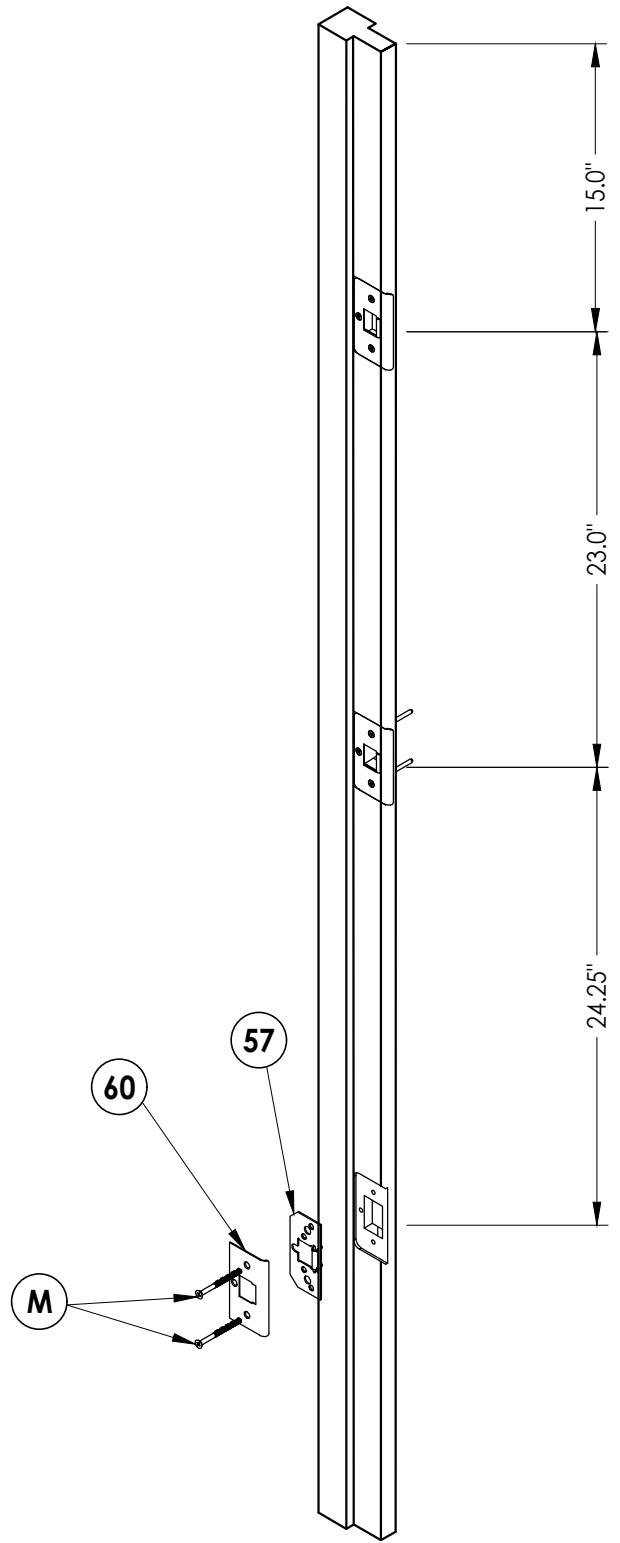
DATE: 05/10/12
SCALE: N.T.S.
DWG. BY: JK
CHK. BY: LFS
DRAWING NO.: FL-15631.6
SHEET 6 OF 12



DATE: 05/10/12		REVISIONS	
SCALE: N.T.S.			
DWG. BY: JK			
CHK. BY: LFS			
DRAWING NO.: FL-15631.6			
SHEET 7 OF 12			
5	7/06/23	UPDATE TO 8TH ED. (2023) FBC & REVISE LITE FRAME	LFS
4	10/14/20	UPDATE TO 7TH ED. (2020) FBC	LFS
3	8/12/20	REVISE DESIGN PRESSURE TABLE & REVISE ENDURA ULT. ASTRAGAL	LFS
	NO. DATE		BY
PRODUCT:		WINCORE FIBERGLASS DOOR	
		PART OR ASSEMBLY:	
		3-POINT LOCK DETAILS	
Documents Prepared By: Lyndon F. Schmidt P.E. No. 43409			
 BUILDING CONSULTANTS, INC. P.O. Box 230, Valrico, FL 33595 Phone No.: 813.659.9197 FBPE Registry No. 9813			



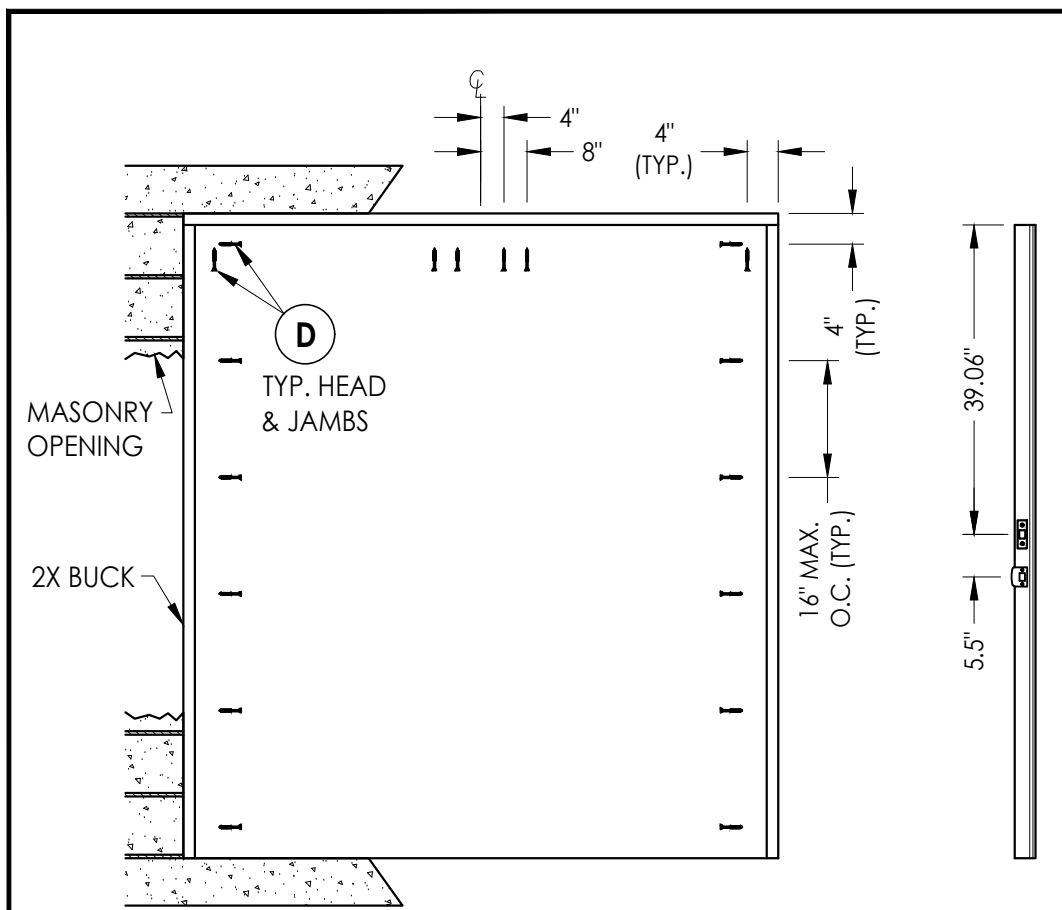
59 **ENDURA TRIENNIUM 3000 SERIES**
3-Point Lock



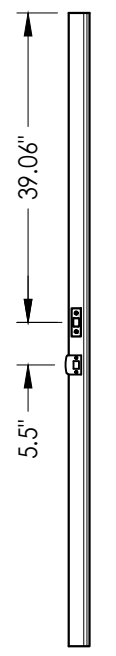
ASTRAGAL STRIKE DETAILS

Documents Prepared By: Lyndon F. Schmidt P.E. No. 43409		PRODUCT: WINCORE FIBERGLASS DOOR		BUILDING CONSULTANTS, INC. P.O. Box 230, Valrico, FL 33595 Phone No.: 813.659.9197 FBPE Registry No. 9813	
PART OR ASSEMBLY: 3-POINT LOCK DETAILS		REVISIONS		DATE: 05/10/12	
5	7/06/23	UPDATE TO 8TH ED. (2023) FBC & REVISE LITE FRAME	LFS		
4	10/14/20	UPDATE TO 7TH ED. (2020) FBC	LFS		
3	8/12/20	REVISE DESIGN PRESSURE TABLE & REVISE ENDURA ULT. ASTRAGAL	LFS		
NO.	DATE		BY		
DWG. BY: JK		CHK. BY: LFS		DRAWING NO.: FL-15631.6	
SCALE: N.T.S.		SHEET 8 OF 12		© 2012 R.W. BUILDING CONSULTANTS INC.	

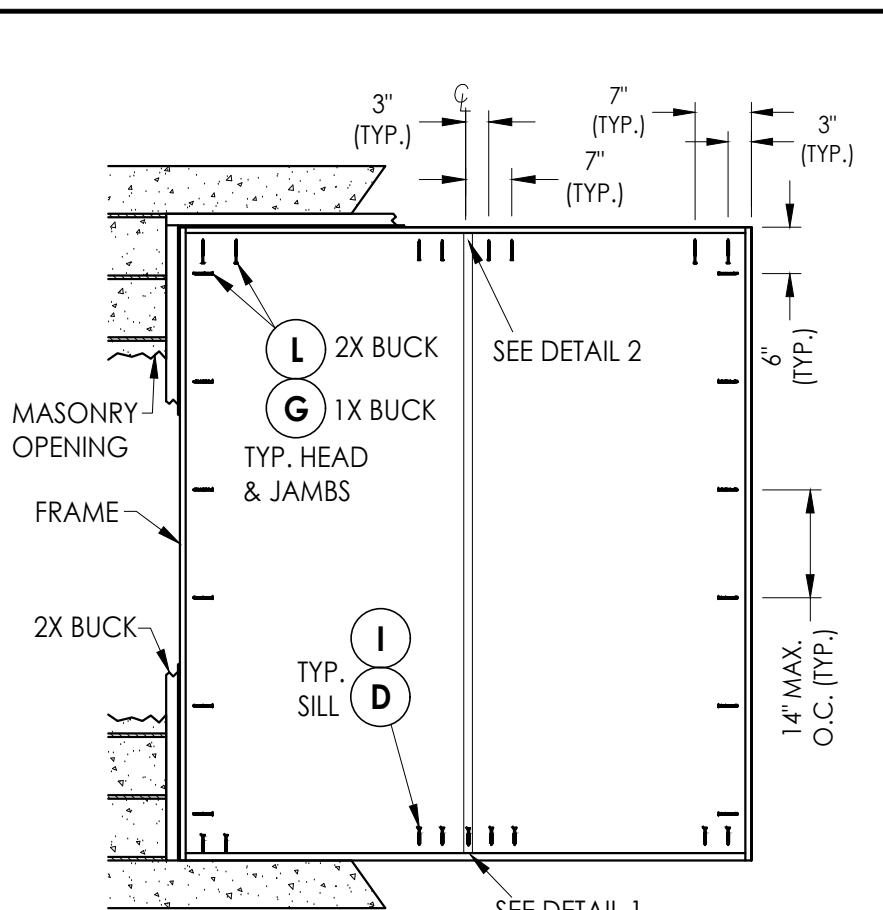
Z:\2023 FBC Drawings\Wincore Window Company\FL-15631 R5\FL-15631.3.6.dwg



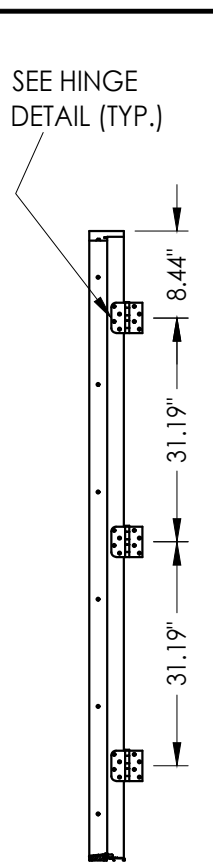
BUCK ANCHORING
XX



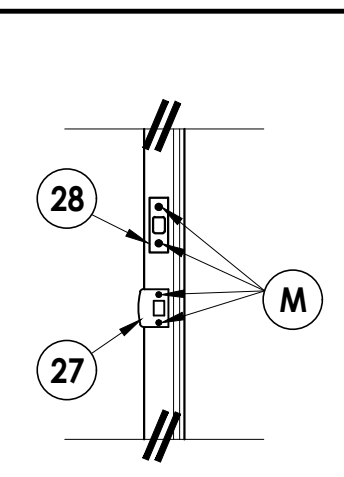
ASTRAGAL STRIKE JAMB
Latch & Deadbolt



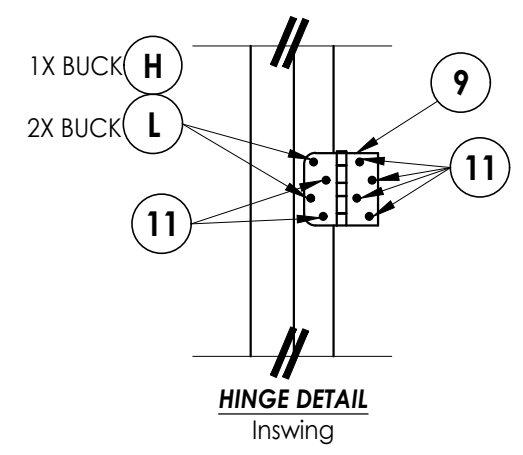
FRAME ANCHORING
XX



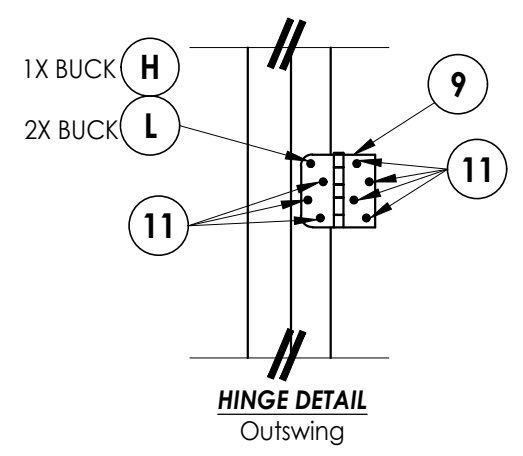
HINGE JAMB



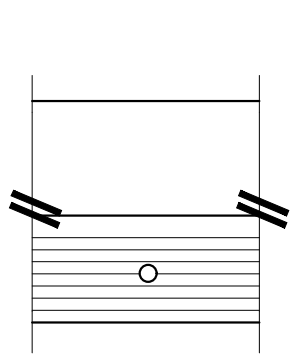
LATCH & DEAD BOLT DETAIL



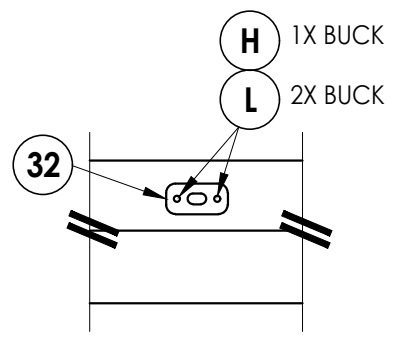
HINGE DETAIL
Inswing



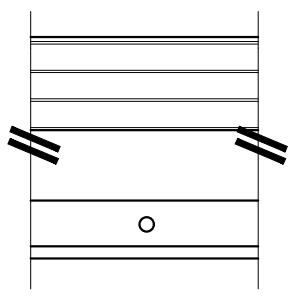
HINGE DETAIL
Outswing



DETAIL 1
Astragal throw bolts at the threshold (Outswing)



DETAIL 2
Attach astragal throw bolt strike plate to frame as shown



DETAIL 1
Astragal throw bolts at the threshold (Inswing)

CONCRETE ANCHOR NOTES:

- Concrete anchor locations at the corners may be adjusted to maintain the min. edge distance to mortar joints.
- Concrete anchor locations noted as "MAX. ON CENTER" must be adjusted to maintain the min. edge distance to mortar joints, additional concrete anchors may be required to ensure the "MAX. ON CENTER" dimensions are not exceeded.
- Concrete anchor table:

ANCHOR TYPE	ANCHOR SIZE	MIN. EMBEDMENT	MIN. CLEARANCE TO MASONRY EDGE	MIN. CLEARANCE TO ADJACENT ANCHOR
ITW TAPCON®	3/16"	1-1/4"	3"	1-1/2"
ITW TAPCON®	1/4"	1-1/4"	2"	4"

WOOD SCREW INSTALLATION NOTES:

- Maintain a minimum 5/8" edge distance, 1" end distance, & 1" o.c. spacing of wood screws to prevent the splitting of wood.

Documents Prepared By:
Lyndon F. Schmidt
P.E. No. 43409

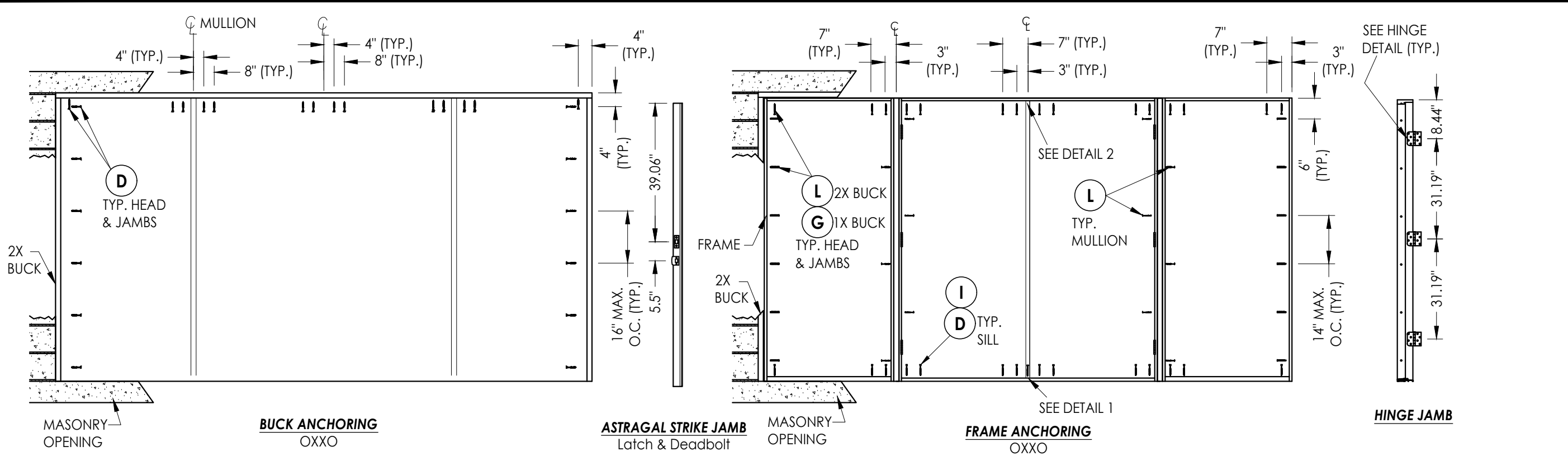
RW
BUILDING CONSULTANTS, INC.
P.O. Box 230, Valrico, FL 33595
Phone No.: 813.659.9197
FBPE Registry No. 9813

PRODUCT:

WINCORE FIBERGLASS DOOR
PART OR ASSEMBLY: BUCK AND FRAME ANCHORING (XX)

NO.	DATE	REVISIONS
5	7/06/23	UPDATE TO 8TH ED. (2023) FBC & REVISE LITE FRAME
4	10/14/20	UPDATE TO 7TH ED. (2020) FBC
3	8/12/20	REVISE DESIGN PRESSURE TABLE & REVISE ENDURA ULT. ASTRAGAL

DATE: 05/10/12
SCALE: N.T.S.
DWG. BY: JK
CHK. BY: LFS
DRAWING NO.: FL-15631.6
SHEET 9 OF 12



Documents Prepared By:
 Lyndon F. Schmidt
 P.E. No. 43409

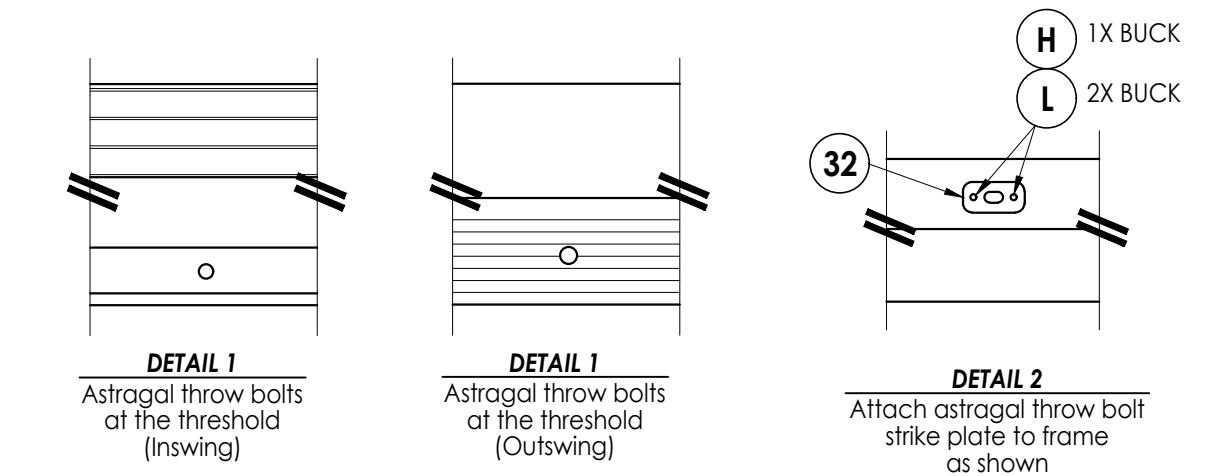
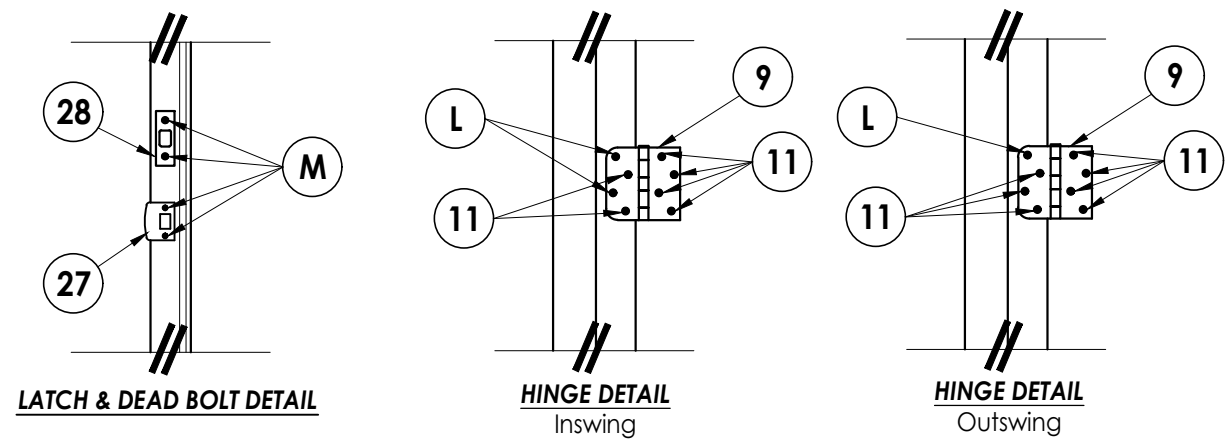
RW
 BUILDING CONSULTANTS, INC.
 P.O. Box 230, Valrico, FL 33595
 Phone No.: 813.659.9197
 FBPE Registry No. 9813

PRODUCT: WINCORE FIBERGLASS DOOR

PART OR ASSEMBLY: BUCK AND FRAME ANCHORING (OXXO)

NO.	DATE	REVISIONS
5	7/06/23	UPDATE TO 8TH ED. (2023) FBC & REVISE LITE FRAME
4	10/14/20	UPDATE TO 7TH ED. (2020) FBC
3	8/12/20	REVISE DESIGN PRESSURE TABLE & REVISE ENDURA ULT. ASTRAGAL

DATE: 05/10/12
 SCALE: N.T.S.
 DWG. BY: JK
 CHK. BY: LFS
 DRAWING NO.: FL-15631.6
 SHEET 10 OF 12



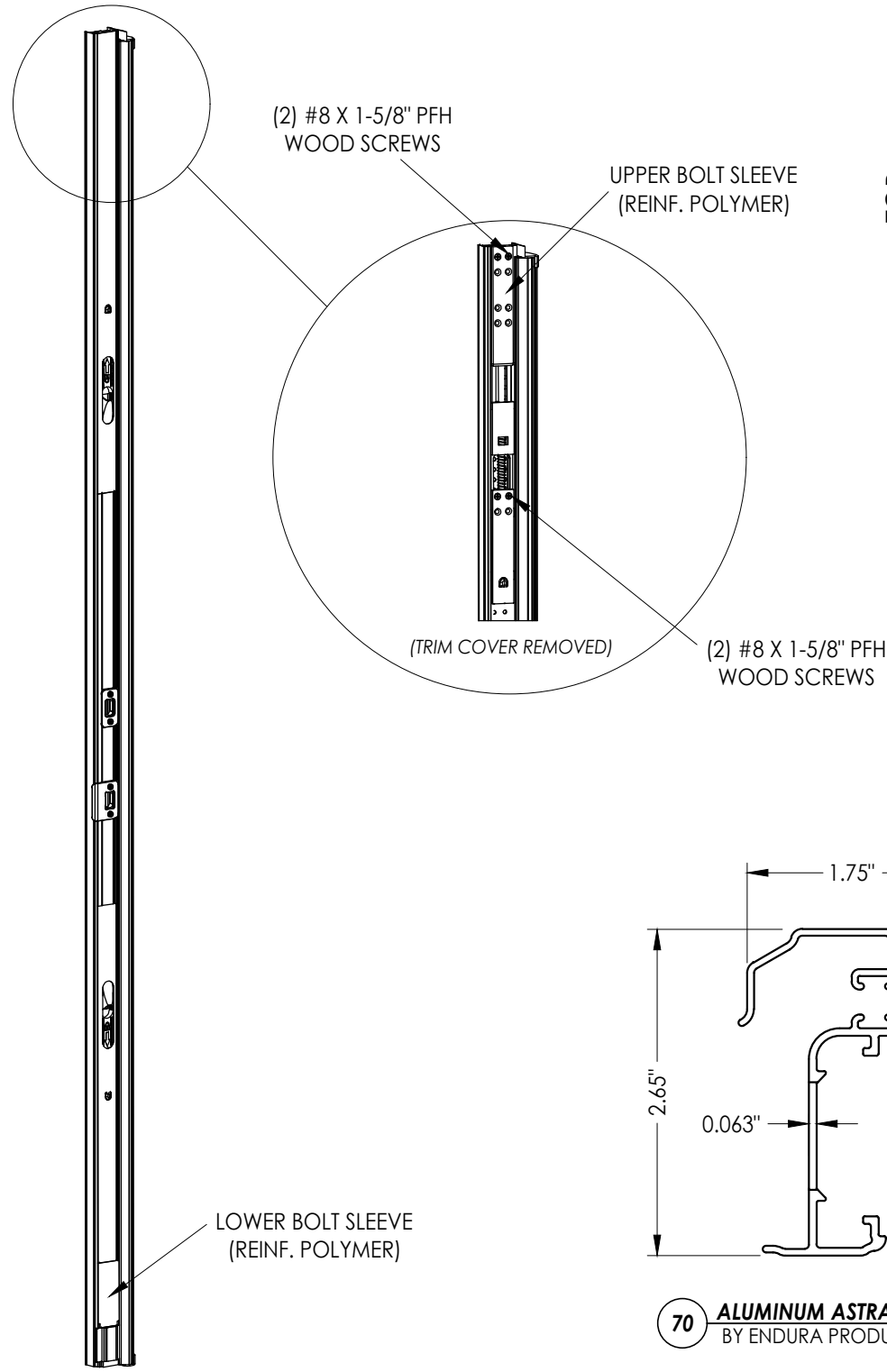
CONCRETE ANCHOR NOTES:

- Concrete anchor locations at the corners may be adjusted to maintain the min. edge distance to mortar joints.
- Concrete anchor locations noted as "MAX. ON CENTER" must be adjusted to maintain the min. edge distance to mortar joints, additional concrete anchors may be required to ensure the "MAX. ON CENTER" dimensions are not exceeded.
- Concrete anchor table:

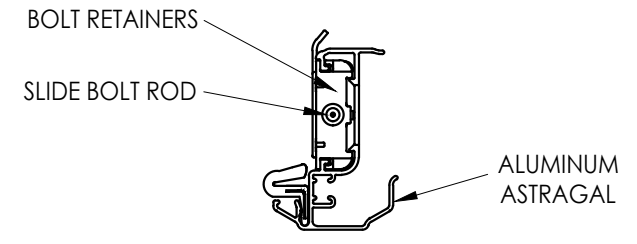
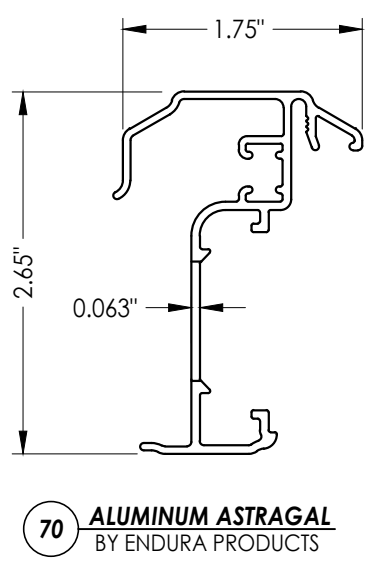
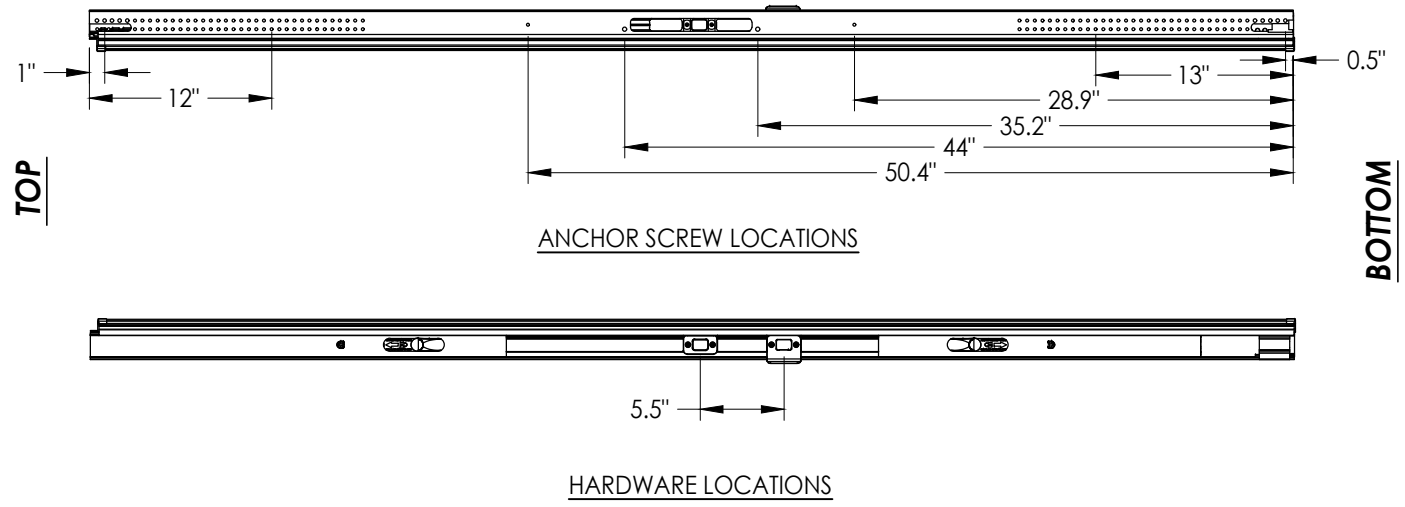
ANCHOR TYPE	ANCHOR SIZE	MIN. EMBEDMENT	MIN. CLEARANCE TO MASONRY EDGE	MIN. CLEARANCE TO ADJACENT ANCHOR
ITW TAPCON®	3/16"	1-1/4"	3"	1-1/2"
ITW TAPCON®	1/4"	1-1/4"	2"	4"

WOOD SCREW INSTALLATION NOTES:

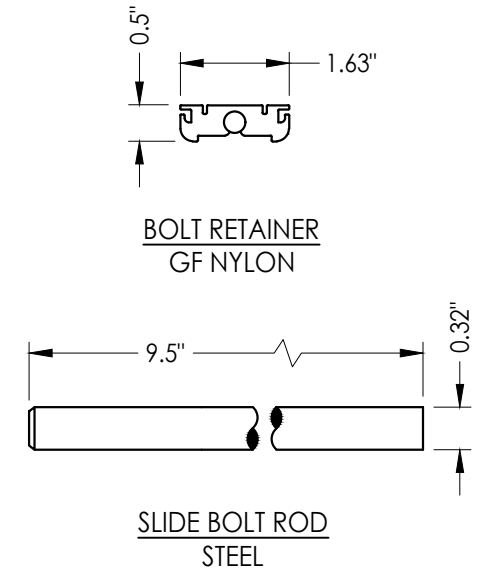
- Maintain a minimum 5/8" edge distance, 1" end distance, & 1" o.c. spacing of wood screws to prevent the splitting of wood.



ULTIMATE HURRICANE ASTRAGAL



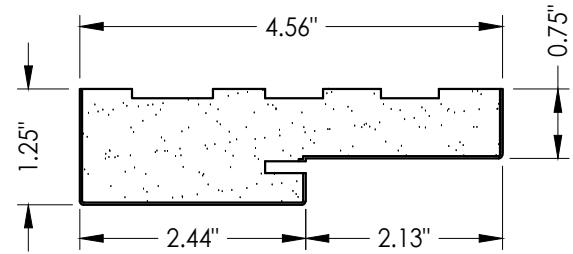
ALUMINUM ASTRAGAL ASSEMBLY



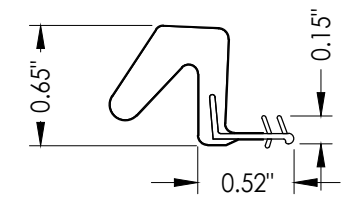
Documents Prepared By: Lyndon F. Schmidt P.E. No. 43409		BUILDING CONSULTANTS, INC. P.O. Box 230, Vairico, FL 33595 Phone No.: 813.659.9197 FBPE Registry No. 9813	
PRODUCT: WINCORE FIBERGLASS DOOR		PART OR ASSEMBLY: ASTRAGAL DETAILS	
5	7/06/23	UPDATE TO 8TH ED. (2023) FBC & REVISE LITE FRAME	LFS
4	10/14/20	UPDATE TO 7TH ED. (2020) FBC	LFS
3	8/12/20	REVISE DESIGN PRESSURE TABLE & REVISE ENDURA ULT. ASTRAGAL	LFS
	NO.	DATE	BY
REVISIONS			
DATE: 05/10/12			
SCALE: N.T.S.			
DWG. BY: JK			
CHK. BY: LFS			
DRAWING NO.: FL-15631.6			
SHEET 11 OF 12			

BILL OF MATERIALS

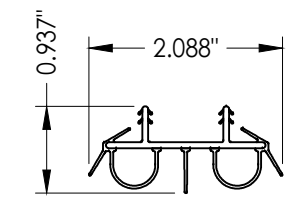
ITEM #	DESCRIPTION	MATERIAL
A	1X BUCK (G >= 0.55)	WOOD
B	2X BUCK (G >= 0.55)	WOOD
C	1/4" MAX. SHIM SPACE	-
D	1/4" X 2-3/4" PFH ITW CONCRETE SCREW	STEEL
E	MASONRY - 3,000 PSI MIN. CONCRETE CONFORMING TO ACI 301 OR HOLLOW BLOCK CONFORMING TO ASTM C90	CONCRETE
G	1/4" X 3-3/4" PFH ITW CONCRETE SCREW	STEEL
H	3/16" x 3-1/4" PFH ITW CONCRETE SCREW	STEEL
I	1/4" X 1-3/4" PFH ITW CONCRETE SCREW	STEEL
K	#9 X 2-1/2" PFH WOOD SCREW	STEEL
L	#8 X 2-1/2" PFH WOOD SCREW (1.15" MIN. EMBEDMENT)	STEEL
M	#8 X 1-1/2" PFH WOOD SCREW	STEEL
1	POLY FIBER JAMB	POLY FIBER
7	WEATHERSTRIP	FOAM
8	DOOR BOTTOM SWEEP	VINYL
9	4" X 4" BUTT HINGE	STEEL
11	#9 X 3/4" PFH WOOD SCREW	STEEL
22	HOPPE - HLS9000 (3-PT. TONGUE) MULTI-POINT LOCKSET	STEEL
23	MULTI-POINT STRIKE PLATE (TONGUE SYSTEM)	STEEL
25	LATCH AND DEADBOLT STRIKE PLATE (TONGUE SYSTEM)	STEEL
27	LATCH STRIKE PLATE	STEEL
28	DEADBOLT STRIKE PLATE (SECURITY)	STEEL
29	ADA THRESHOLD	ALUM
30	OUTSWING THRESHOLD	ALUM/WOOD
32	OUTSWING THRESHOLD	ALUM/WOOD
33	OUTSWING THRESHOLD	ALUM/COMP
35	OUTSWING SIDELITE ADAPTER	VINYL
36	INSWING THRESHOLD	ALUM/COMP
39	INSWING SIDELITE ADAPTER	VINYL
40	DOOR PANEL - SEE DOOR PANEL DETAIL SHEET FOR CONSTRUCTION DETAILS	-
50	SIDELITE PANEL - SEE SIDELITE PANEL DETAIL SHEET FOR CONSTRUCTION DETAILS	-
55	#10 X 1-1/2" PFH SCREW	STEEL
57	BACKING PLATE	STEEL
58	#8 X 2" PFH WS	STEEL
59	ENDURA TRIENNIIUM SERIES 3000 - 3 POINT LOCK	-
60	MULTI-POINT STRIKE PLATE	STEEL
62	LOCK ASSEMBLY	STEEL
70	ULTIMATE HURRICANE ASTRAGAL BY ENDURA	ALUM
88	2X REINFORCEMENT (G >= 0.55)	WOOD



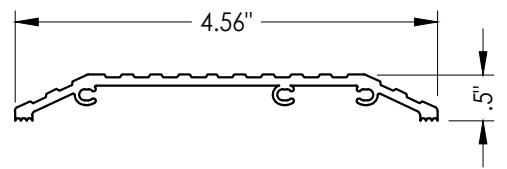
1 POLY FIBER JAMB
Plastpro



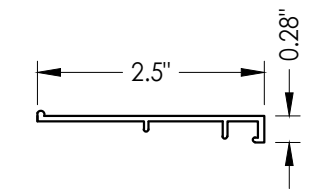
7 WEATHERSTRIP
Endura Force 5



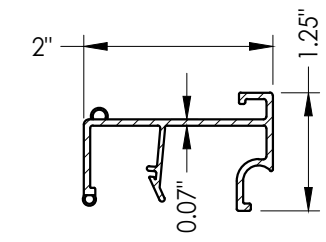
8 DOOR BOTTOM SWEEP



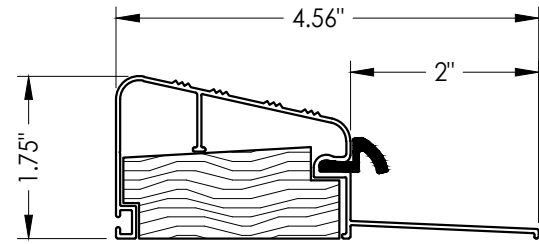
29 ADA THRESHOLD
DLP



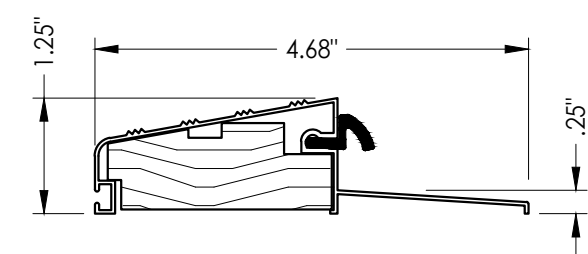
35 OUTSWING SIDELITE ADAPTER



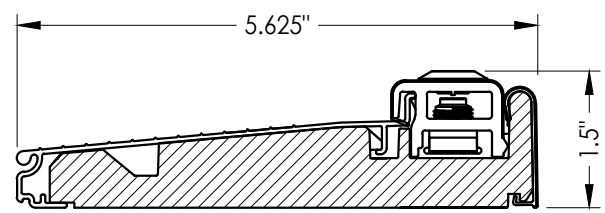
39 INSWING SIDELITE ADAPTER



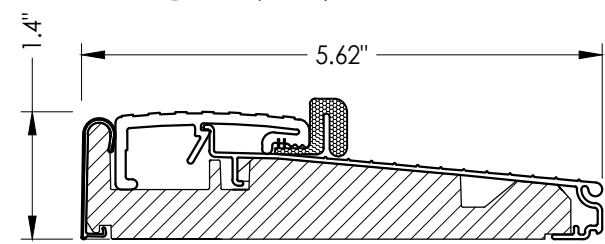
30 OUTSWING THRESHOLD
DLP (QOSR)



32 OUTSWING THRESHOLD
DLP (QOSH)



36 INSWING THRESHOLD
Endura (Z-Series)



33 OUTSWING THRESHOLD
Endura (Z-Series)

Documents Prepared By:
Lyndon F. Schmidt
P.E. No. 43409

RW BUILDING CONSULTANTS, INC.
P.O. Box 230, Valrico, FL 33595
Phone No.: 813.659.9197
FBPE Registry No. 9813

PRODUCT:
WINCORE
FIBERGLASS DOOR
PART OR ASSEMBLY:
BILL OF MATERIALS
& COMPONENTS

NO.	DATE	REVISIONS	BY
5	7/06/23	UPDATE TO 8TH ED. (2023) FBC & REVISE LITE FRAME	LFS
4	10/14/20	UPDATE TO 7TH ED. (2020) FBC	LFS
3	8/12/20	REVISE DESIGN PRESSURE TABLE & REVISE ENDURA ULT. ASTRAGAL	LFS

DATE:	05/10/12
SCALE:	N.T.S.
DWG. BY:	JK
CHK. BY:	LFS
DRAWING NO.:	FL-15631.6
SHEET	12 OF 12